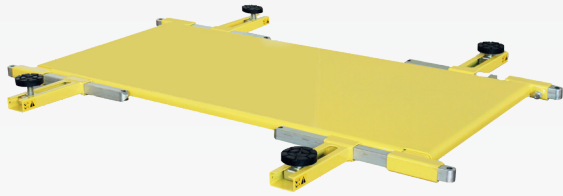


FI.TIM

VEHICLE LIFTS & FAST COLISION REPAIR



FLAT LIFT

The New Generation of lifts



GF 39

KW 50

NM 65

MT 75

mm

39 mm

50 mm

65 mm

75 mm



900 kg

1800 kg

3000 kg

3000 kg

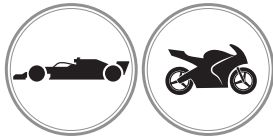
mm

1180 mm

1180 mm

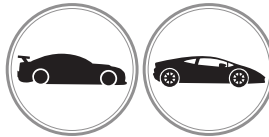
1210 mm

1530 mm



MOTORSPORT

Lifting by the upper platform



**MOTORSPORT
SUPER CARS
CLASSIC CARS**

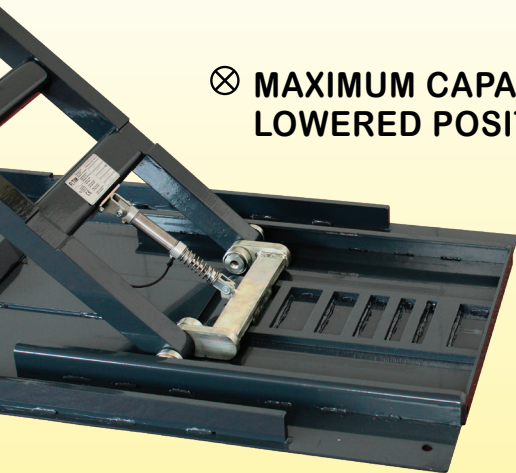
*Lifting by the upper platform /
by arms and rubber pads*



BODY SHOP / WORKSHOP / TIRE SHOP

*Lifting by the upper platform /
by arms and rubber pads / by the
wheels*

⊗ **MAXIMUM CAPACITY FROM THE FULLY LOWERED POSITION**



Mechanical safety device

Load testing +50%



Patented

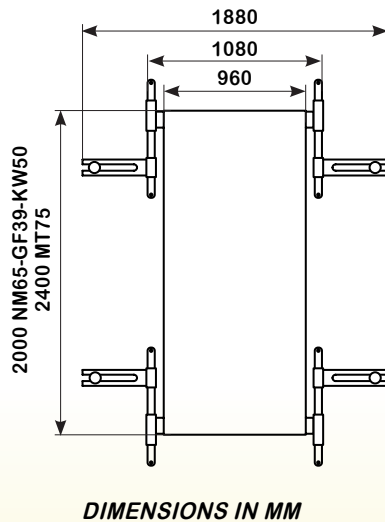
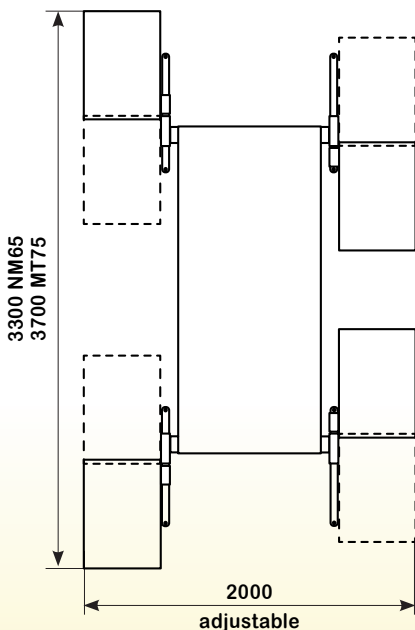


WWW.FITIM.COM

FLAT LIFT

The New Generation of lifts

The FLAT LIFT technology has attained, in the 4 current lift versions, goals never achieved before as far as the minimum height – capacity ratio is concerned.



4 Adjustable rubber pads with double extension

