

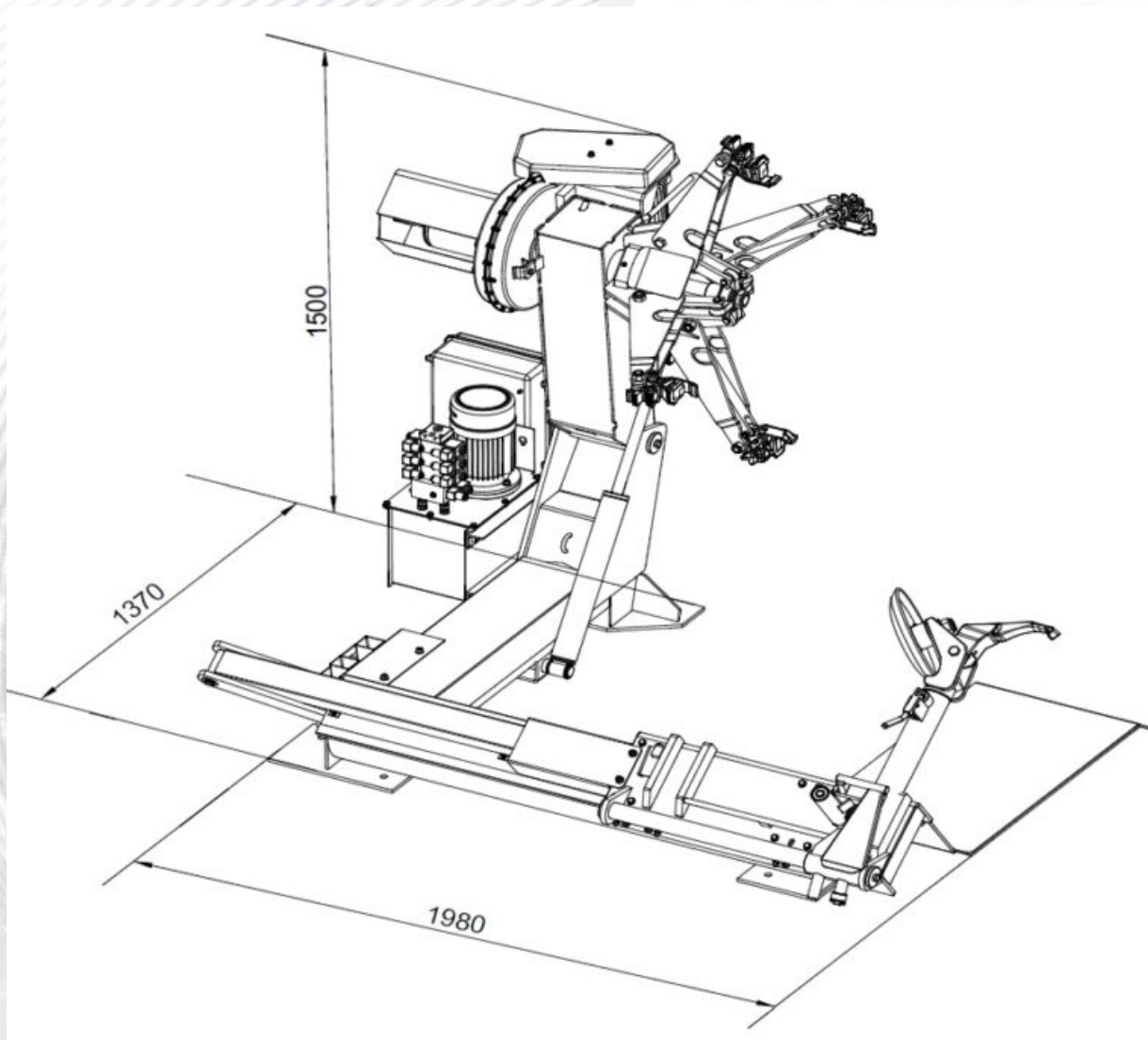
UT-56

Easy demounting and mounting electro-hydraulic tyre changer for trucks, buses and industrial vehicles tubed or tubeless, with groove rim and split ring rim.



Technical Data

Clamping capacity	14" - 46" (po zastosowaniu przedłużek 56")
Max. wheel width	1065 mm
Max. wheel diameter	2300 mm
Bead-breaker pressure force	2700 kg
Maximum wheel weight	1500 kg
Pressure	130 bar
Table rotation speed	5/10 obr./min.
Motor power	1,3 / 1,8 kW
Pump motor	1,1 kW
Weight	770 kg
Wheel clamp	Hydrauliczny
Electric supply	3 x 400V / 50 Hz
Dimensions	1640/800/2000



Available Colors



UNI-TROL Sp. z o.o.
ul. Estrady 56
01-932 Warszawa

tel. (22) 817 94 21 22, 817 94 34 35, 834 90 13 14
SPRZEDAŻ wew. 118 i 121, SERWIS wew. 131 i 134
www.unitrol.pl | office@unitrol.pl | serwis@unitrol.pl

Basic Colors

